

## Electrical Characteristics

Module Type	NB-95-CMY	NB-100-CMY
	STC	STC
Maximum Power at STC (Pmp)	95	100
Open Circuit Voltage (Voc)	21.76	21.96
Short Circuit Current (Isc)	5.46	5.69
Maximum Power Voltage (Vmp)	18.56	18.76
Maximum Power Current (Imp)	5.11	5.33
Module Efficiency at STC( $\eta$ m)	19.40	19.68
Power Tolerance	(0, +3%)	
Maximum System Voltage	1000V DC	
Maximum Series Fuse Rating	15 A	

STC: Irradiance 1000 W/m<sup>2</sup> module temperature 25°C AM=1.5  
Power measurement tolerance: +/-3%

## Temperature Characteristics

Pmax Temperature Coefficient	-0.35 %/°C
Voc Temperature Coefficient	-0.27 %/°C
Isc Temperature Coefficient	+0.05 %/°C
Operating Temperature	-40~+85 °C
Nominal Operating Cell Temperature (NOCT)	45 ± 2 °C

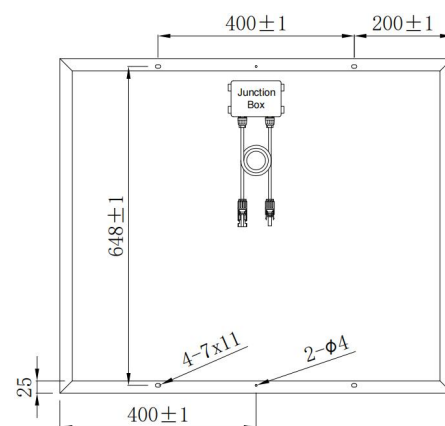
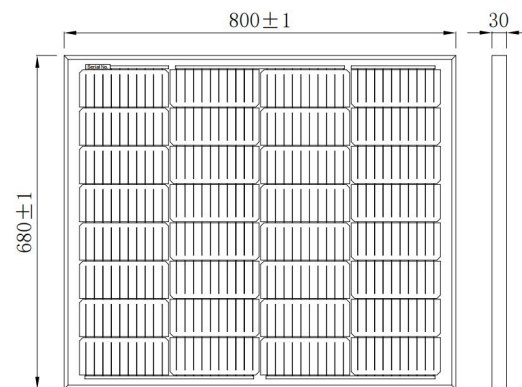
## Mechanical Specifications

External Dimensions	680 x 800 x 30 mm
Weight	7 kg
Solar Cells	PERC Mono (32 pcs)
Front Glass	3.2 mm AR coating tempered glass, low iron
Frame	Anodized aluminum alloy
Junction Box	IP68,3 diodes
Output Cables	4.0 mm <sup>2</sup> , 900mm(+)/900mm(-) or Customized Length
Mechanical Load	Front side 5400Pa / Rear side 2400Pa

## Packing Configuration

	680 x 800 x 30 mm	
Container	20'GP	40'HQ
Pieces per Carton	2	2
Pieces per Container	1624	3730

\* For details, please consul NABAI.



## I-V Curve

